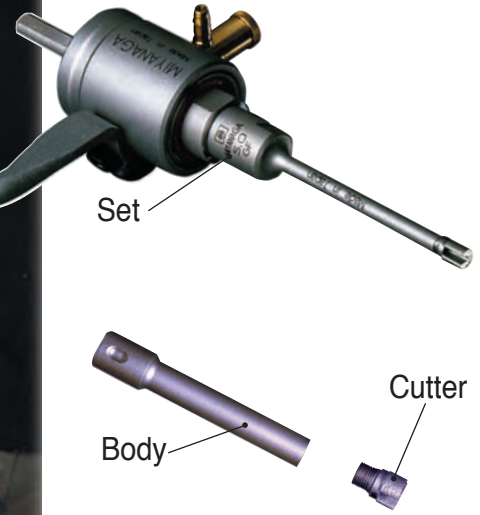




MIYANAGA

MIST DIAMOND DRILL BIT

Safe, Easy, and Quiet!



Porcelain Tile, Granite, Concrete, and More!

Characteristics

- Low noise and vibration. (approx. 65 dB)
- Replaceable cutters decrease operating cost.
- Convenient and unique water supply system -cools the cutter, removes dust, and increases drilling efficiency.
- Diamond-Tipped for No-Crack, Burr Free cutting and minimal spalling.

For use in

- Hard to cut porcelains
- Granite/Stone/Concrete/Brick/Block/Pavers/Glass Block

Specifications

- Diameters: 3/16"(5.0mm) - 15/16"(24mm)
- Drilling Depth: 3-7/8"(100mm) - 7-7/8"(200mm)
- Recommended RPM
 - 3/16"(5.0mm) - 3/8" (10.0mm) : 15,000 - 3,000 rpm
 - 1/2" (12.5mm) - 15/16(24mm) : 7,000 - 1,500 rpm
- Use w/double insulated electric drills.
- GFCI recommended.
- Rotary mode only.

MIYANAGA
ISO 9001/14001 Certified

MIST DIAMOND DRILL BIT



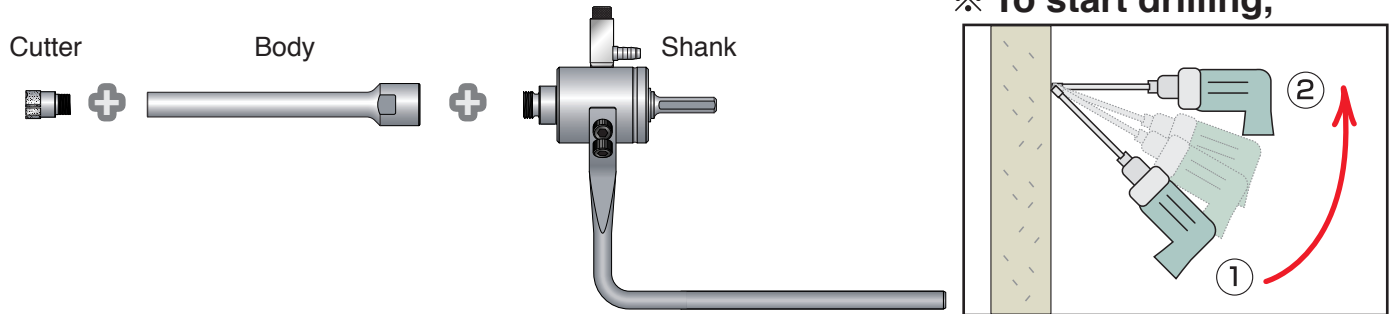
The actual sizes are in Metric.

Diameter		Cutter	Body	Body length
Inch	mm			
3/16"	50	DM050C	DM050B	
15/64"	60	DM060C		
1/4"	65	DM065C	DM060B	
5/16"	80	DM080C		
3/8"	100	DM100C	DM085B	3-7/8"
1/2"	125	DM125C	DM125B	
9/16"	145	DM145C	DM145B	
5/8"	160	DM160C	DM160B	
3/4"	190	DM190C	DM190B	5-1/8"
7/8"	220	DM220C	DM220B	7-7/8"
15/16"	240	DM240C	DM240B	

Shank	Shank Dia	Size Range
DMSK1P	1/4"	3/16" - 1/2"
DMSK2P	3/8"	3/16" - 15/16"

Recommended RPM and Wattage

Diameter	Recommended RPM	Wattage(W)
3/16" - 3/8"	15000 - 3000	above 250
1/2" - 15/16"	7000 - 1500	above 500



Mist Diamond Accessories

Water Bottle Hands-Free Kit



PBSSH

*Water bottle not included.

Dust Collecting Pad



SJP038

1/4", 3/8", 1/2" Kit [PBDMK2]



Diamond Dressing Plate [DDP]



L2-7/8" x W5-7/8" x H1-9/16"

Positioning Guide [ITPG]

For Positioning Mist Diamond Drill Bit



Hands-Free Belt Clip [PBHBC]



Just hang the water bottle onto your belt.

Plug-Ejector [DMPE1]



*To remove the plug in the body.



MIYANAGA America Corp.

40 Shuman Blvd. Suite 328
Naperville, Illinois 60563 USA
Tel: (630) 778-3496 Fax: (630) 778-3509

MIYANAGA CO., LTD

Registered office and Factory-Japan
Representative Office-Europe

ISO 9001/ISO14001 Certified

www.miyanagaamerica.com

